



SDS3316 SERIES ~ SMD Shielded Power Inductors

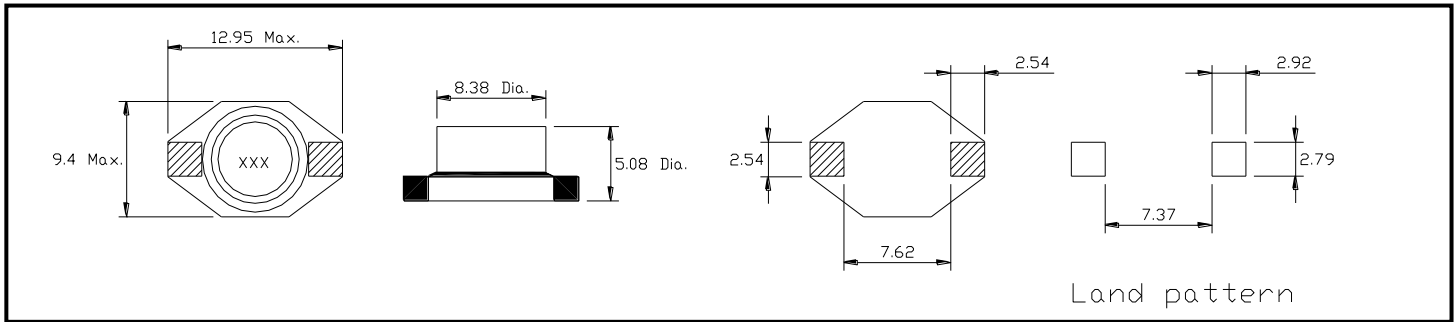


PART NUMBERING SYSTEM

SDS	3316	—	2R2M	—	LF
TYPE	DIMENSIONS		INDUCTANCE		LEAD FREE

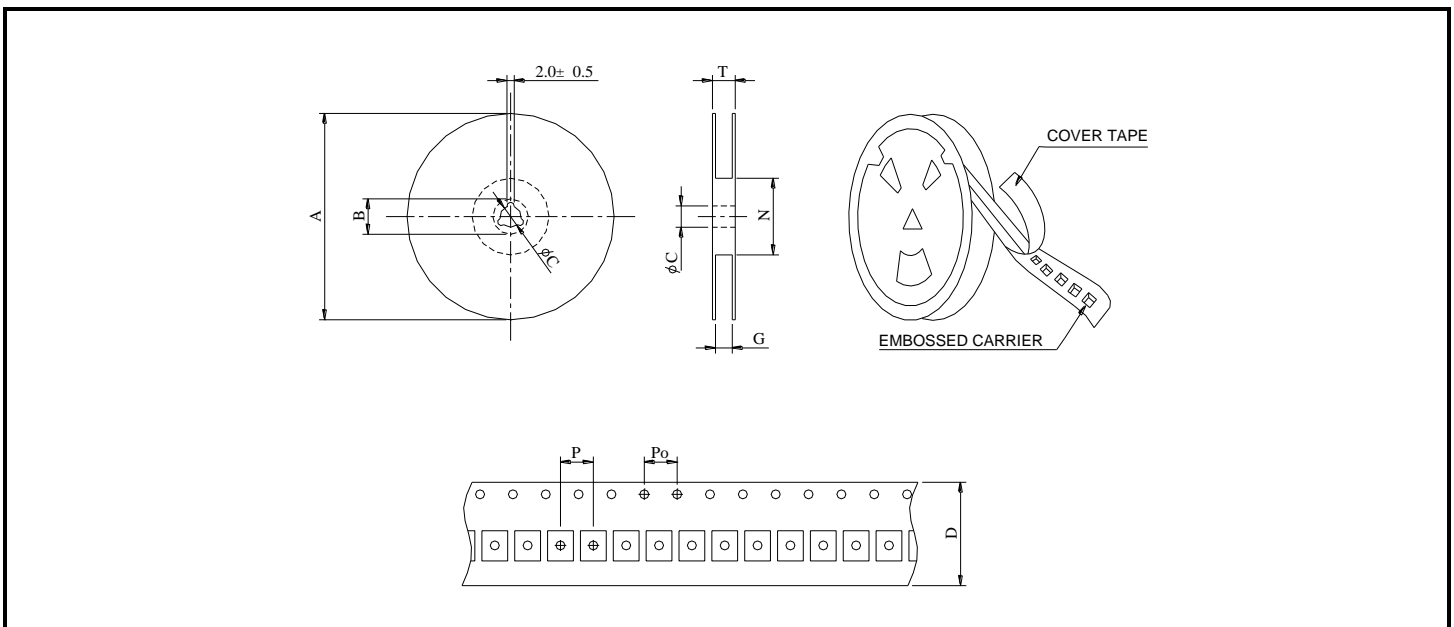
SHAPES AND DIMENSIONS

UNIT : mm



Allow an additional 0.508 in dimension 12.95mm and 0.254 in dimension 5.08mm for optional tin-lead and tin-silver-copper application.

PACKAGING SPECIFICATION



SERIES	STAYLE	Q' TY (PCS)	DIMENSIONS (m/m)								
			A	B±0.8	C±0.5	D	G ⁺⁰	N ⁰	P	Po	T
SDS3316	13-24	1000	330	21	13	24	26	50	16	4	30.4



SDS3316 SERIES ~ SMD Shielded Power Inductors



SPECIFICATION TABLE

PART NUMBER	INDUCTANCE (μ H)	DCR (Ω) (Max.)	Isat (A) (Max.)	Irms (A) (Max.)	SRF(MHz) (Ref.)
SDS3316-1R0M-LF	1.0 \pm 20%	0.021	11.0	5.00	140
SDS3316-1R5M-LF	1.5 \pm 20%	0.022	9.50	4.50	120
SDS3316-2R2M-LF	2.2 \pm 20%	0.032	7.80	3.80	80
SDS3316-3R3M-LF	3.3 \pm 20%	0.039	6.00	3.30	70
SDS3316-4R7M-LF	4.7 \pm 20%	0.054	5.40	2.70	40
SDS3316-6R8M-LF	6.8 \pm 20%	0.075	4.50	2.20	38
SDS3316-8R2M-LF	8.2 \pm 20%	0.085	4.00	2.10	36
SDS3316-100M-LF	10 \pm 20%	0.101	3.50	2.00	35
SDS3316-150M-LF	15 \pm 20%	0.150	3.00	1.50	25
SDS3316-220M-LF	22 \pm 20%	0.207	2.00	1.30	19
SDS3316-330M-LF	33 \pm 20%	0.334	1.80	1.10	15
SDS3316-470M-LF	47 \pm 20%	0.472	1.40	0.80	13
SDS3316-680M-LF	68 \pm 20%	0.660	1.30	0.70	10
SDS3316-101M-LF	100 \pm 20%	1.110	1.20	0.60	7
SDS3316-151M-LF	150 \pm 20%	1.550	0.80	0.50	6
SDS3316-221M-LF	220 \pm 20%	2.000	0.70	0.37	5
SDS3316-102M-LF	1000 \pm 20%	8.300	0.32	0.17	2

- Inductance tested at 100 kHz, 0.1 Vrms.
- I sat : DC current at which the inductance drops 10% (typ) from its value without current.
- I rms : : Average current for 40°C temperature rise from 25°C ambient.
- Operating temperature range -40°C to +125°C .
- Electrical specifications at 25°C .